

DECLARACIÓN DE PRESTACIONES

GAH/LE-004 de 14-07-2020

1. Tipo de producto: ETA 10/0210 Anclaje para postes
N.º de tipo: 326, 327, 345, 365, 365v, 366, 367, 394, 451, 472, 480, 481, 665
2. Uso previsto: Anclajes para el apoyo de columnas de madera y postes como elementos de soporte
3. Fabricante:
Gust. Alberts GmbH & Co. KG
Blumenthal 2
58849 Herscheid
Fábricas 6166, 6167, 6168
4. Representante autorizado: no aplicable
5. Sistema de evaluación: 2+
6. **+ 7 Especificaciones técnicas y organismos notificados:**

| | Nombre | N.º | Sistema de evaluación | Documento de referencia | EAD (ETAG) N.º / Norma |
|---|--|------|-----------------------|--|---------------------------|
| Evaluación técnica | ETA-Danmark A/S | -- | 2+ | ETA 10 / 0210 de 02-07-2015 | ETAG015:2013-04 |
| Inspección de la producción en la propia fábrica por el | Karlsruher Institut für Technologie | 0769 | 2+ | 0769-CPR-6166-01 0769-CPR-6167-01 0769-CPR-6168-01 | |

8. Prestaciones declaradas:

| Características esenciales | Prestación | Sección de ETA / Norma EN |
|--|--|--|
| Capacidad portante característica | Véase el anexo | Anexo B de la ETA |
| Rigidez | Ninguna prestación constatada | |
| Ductilidad en las pruebas cíclicas | Ninguna prestación constatada | |
| Reacción al fuego | Euroclase A1 | DIN EN 13501-1: 2010-01 |
| Higiene, salud y medioambiente | El producto no contiene sustancias peligrosas mencionadas en el Informe Técnico TR 034 de marzo de 2012 | ETA punto 3 |
| Uso sostenible de los recursos naturales | Ninguna prestación constatada | |
| Durabilidad | Acero S235JR, galvanizado en caliente >55 µm Clase de utilización 1, 2 y 3 Acero inoxidable 1.4301 Clase de utilización 3 | EN 1461:2009-10 EN 10088-3:2014-12 ETA II - Punto 3.11 |
| Identificación | Véase el anexo | Véase el anexo A de la ETA 10/0210 |

9. Las prestaciones del producto identificado en el punto 1 son conformes con las prestaciones declaradas en el punto 8. La presente declaración de prestaciones está basada en el reglamento (UE) n.º 305/2011 y se emite bajo la única responsabilidad del fabricante indicado en el punto 3. Firmado por y en nombre del fabricante por:

Lukas Sonntag

Nombre

Jefe de control de calidad

Función

Herscheid a 14 de julio de 2020

Lugar / fecha de expedición

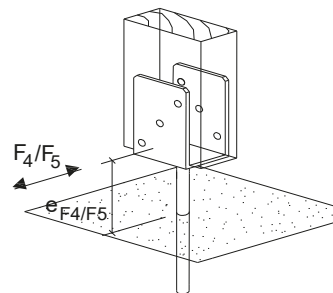
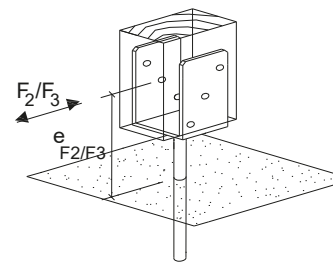
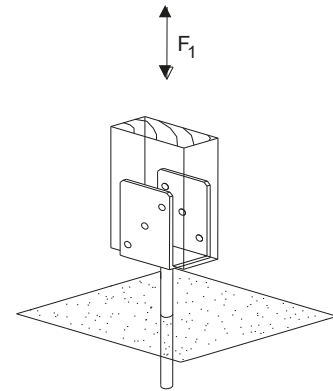
i.A.

Firma

Attachment to the Declaration of Performance GAH/LE-004 dated 14.07.2020

Characteristic values of load-bearing capacity

The values given are only intended as a planning aid

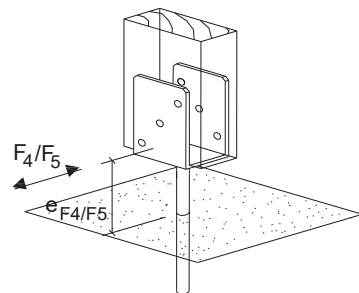
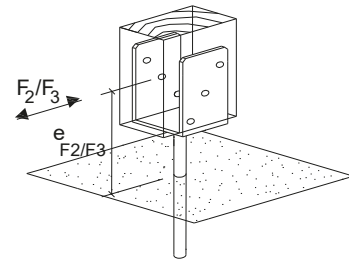
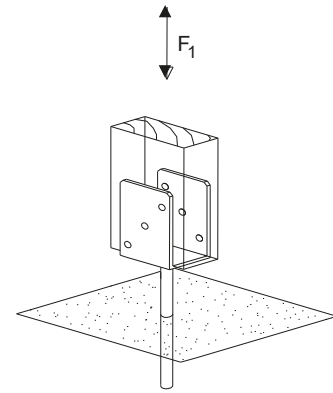


| Means of connection bolts (bar dowel) | Means of connection screws (wood screw) | Post min w/h | Distances max a | Distances F2/F3 | Distances F4/F5 | F1 pressure, kN, wood, ym | F1 pressure, kN, steel, ym,0 | F1 pressure, kN, steel, ym,1 | F1 pressure, kN, steel, ym,2 | F1 tension, kN, wood, ym | F1 tension, kN, steel, ym,0 | F1 tension, kN, steel, ym,2 | F2/3, kN, wood, ym | F2/3, kN, steel, ym,0 | F2/3, kN, steel, ym,1 | F2/3, kN, steel, ym,2 | F4/5, kN, wood, ym | F4/5, kN, steel, ym,0 | F4/5, kN, steel, ym,2 | Order no. 4004338... | Type no. | | |
|---------------------------------------|---|----------------|-----------------|-----------------|-----------------|---------------------------|------------------------------|------------------------------|------------------------------|--------------------------|-----------------------------|-----------------------------|--------------------|-----------------------|-----------------------|-----------------------|--------------------|-----------------------|-----------------------|----------------------|----------|--------|-------|
| CE | - | 3 x 10 x 60 mm | 80/95 mm | 50 mm | - | 61.70 | 33.80 | - | - | 4.46 | 2.81 | 3.45 | - | - | - | - | - | - | - | - | 213954 | 326 | |
| CE | 1 x 10 mm | 4 x 10 x 60 mm | 71/115 mm | 50 mm | 139 mm | 77 mm | 56.10 | 48.30 | - | 8.91 | 6.28 | 6.90 | 5.94 | - | - | 2.11 | 11.70 | 5.58 | - | - | 214234 | 327 | |
| CE | 1 x 10 mm | 4 x 10 x 60 mm | 75/115 mm | 50 mm | 139 mm | 77 mm | 58.60 | 48.30 | - | 8.91 | 5.74 | 6.90 | 5.94 | - | - | 2.11 | 12.30 | 5.58 | - | - | 214241 | 327 | |
| CE | 1 x 10 mm | 4 x 10 x 60 mm | 81/115 mm | 50 mm | 139 mm | 77 mm | 62.40 | 48.30 | - | 8.91 | 5.09 | - | 5.94 | - | - | 2.11 | 12.30 | 5.58 | - | - | 214258 | 327 | |
| CE | 1 x 10 mm | 4 x 10 x 60 mm | 91/115 mm | 50 mm | 139 mm | 77 mm | 68.70 | 48.30 | - | 8.91 | 4.28 | - | 5.94 | - | - | 2.11 | 12.30 | 5.58 | - | - | 214265 | 327 | |
| CE | 1 x 10 mm | 4 x 10 x 60 mm | 101/115 mm | 50 mm | 139 mm | 77 mm | 75.00 | 48.30 | - | 8.91 | 3.69 | - | 5.94 | - | - | 2.11 | 12.30 | 5.58 | - | - | 214289 | 327 | |
| CE | 1 x 10 mm | 4 x 10 x 60 mm | 121/115 mm | 50 mm | 139 mm | 77 mm | 87.60 | 48.30 | - | 8.91 | 2.90 | - | 5.94 | - | - | 2.11 | 12.30 | 5.58 | - | - | 214296 | 327 | |
| CE | 1 x 10 mm | 4 x 10 x 60 mm | 141/115 mm | 50 mm | 139 mm | 77 mm | 100.20 | 48.30 | - | 8.91 | 2.38 | - | 5.94 | - | - | 2.11 | 12.30 | 5.58 | - | - | 214302 | 327 | |
| CE | 2 x 10 mm | - | 71/80 mm | - | 175 mm | 25 mm | 23.20 | - | 27.60 | - | 12.70 | 6.36 | - | 8.17 | 1.32 | - | - | 7.81 | - | 2.57 | - | 212766 | 345 |
| CE | 2 x 10 mm | - | 81/80 mm | - | 175 mm | 25 mm | 23.20 | - | 27.60 | - | 12.70 | 7.41 | - | 9.32 | 1.32 | - | - | 7.81 | - | 2.57 | - | 212780 | 345 |
| CE | 2 x 10 mm | - | 91/80 mm | - | 175 mm | 25 mm | 23.20 | - | 27.60 | - | 12.70 | 8.86 | - | 10.50 | 1.32 | - | - | 7.81 | - | 2.57 | - | 212797 | 345 |
| CE | 2 x 10 mm | - | 101/80 mm | - | 175 mm | 25 mm | 23.20 | - | 27.60 | - | 12.70 | 11.00 | - | 10.70 | 1.32 | - | - | 7.81 | - | 2.57 | - | 212810 | 345 |
| CE | 2 x 10 mm | - | 121/80 mm | - | 175 mm | 25 mm | 23.20 | - | 27.60 | - | 12.70 | 17.10 | - | 10.70 | 1.32 | - | - | 7.81 | - | 2.57 | - | 212827 | 345 |
| CE | 2 x 10 mm | - | 71/80 mm | 50 mm | 125 mm | 77 mm | 25.30 | - | 45.50 | - | 12.70 | - | 81.80 | 8.17 | - | 15.60 | - | 7.85 | - | 3.88 | - | 213800 | 365 |
| CE | 2 x 10 mm | - | 81/80 mm | 50 mm | 125 mm | 77 mm | 25.30 | - | 45.50 | - | 12.70 | - | 81.80 | 9.32 | - | 15.60 | - | 7.85 | - | 3.88 | - | 213817 | 365 |
| CE | 2 x 10 mm | - | 91/80 mm | 50 mm | 125 mm | 77 mm | 25.30 | - | 45.50 | - | 12.70 | - | 81.80 | 10.50 | - | 15.60 | - | 7.85 | - | 3.88 | - | 213824 | 365 |
| CE | 2 x 10 mm | - | 101/80 mm | 50 mm | 125 mm | 77 mm | 25.30 | - | 45.50 | - | 12.70 | - | 81.80 | 11.60 | - | 15.60 | - | 7.85 | - | 3.88 | - | 203917 | 365 |
| CE | 2 x 10 mm | - | 111/80 mm | 50 mm | 125 mm | 77 mm | 25.30 | - | 45.50 | - | 12.70 | - | 81.80 | 12.80 | - | 15.60 | - | 7.85 | - | 3.88 | - | 203924 | 365 |
| CE | 2 x 10 mm | - | 116/80 mm | 50 mm | 125 mm | 77 mm | 25.30 | - | 45.50 | - | 12.70 | - | 81.80 | 13.30 | - | 15.60 | - | 7.85 | - | 3.88 | - | 203931 | 365 |
| CE | 2 x 10 mm | - | 121/80 mm | 50 mm | 125 mm | 77 mm | 25.30 | - | 45.50 | - | 12.70 | - | 81.80 | 13.90 | - | 15.60 | - | 7.85 | - | 3.88 | - | 203948 | 365 |
| CE | 2 x 10 mm | - | 91/80 mm | 50 mm | 130 mm | 82 mm | 27.10 | - | 71.00 | - | 13.60 | - | 98.20 | 10.50 | - | 19.30 | - | 10.40 | 5.05 | - | - | 213626 | 365 v |
| CE | 2 x 10 mm | - | 95/80 mm | 50 mm | 130 mm | 82 mm | 27.10 | - | 71.00 | - | 13.60 | - | 98.20 | 10.90 | - | 19.30 | - | 10.40 | 5.05 | - | - | 213886 | 365 v |
| CE | 2 x 10 mm | - | 101/80 mm | 50 mm | 130 mm | 82 mm | 27.10 | - | 71.00 | - | 13.60 | - | 98.20 | 11.60 | - | 19.30 | - | 10.40 | 5.05 | - | - | 213831 | 365 v |
| CE | 2 x 10 mm | - | 111/80 mm | 50 mm | 130 mm | 82 mm | 27.10 | - | 71.00 | - | 13.60 | - | 98.20 | 12.80 | - | 19.30 | - | 10.40 | 5.05 | - | - | 213879 | 365 v |
| CE | 2 x 10 mm | - | 116/80 mm | 50 mm | 130 mm | 82 mm | 27.10 | - | 71.00 | - | 13.60 | - | 98.20 | 13.30 | - | 19.30 | - | 10.40 | 5.05 | - | - | 213916 | 365 v |
| CE | 2 x 10 mm | - | 121/80 mm | 50 mm | 130 mm | 82 mm | 27.10 | - | 71.00 | - | 13.60 | - | 98.20 | 13.90 | - | 19.30 | - | 10.40 | 5.05 | - | - | 213848 | 365 v |
| CE | 2 x 10 mm | - | 141/80 mm | 50 mm | 130 mm | 82 mm | 27.10 | - | 71.00 | - | 13.60 | - | 98.20 | 16.20 | - | 19.30 | - | 10.40 | 5.05 | - | - | 213893 | 365 v |
| CE | - | 3 x 10 x 60 mm | 80/95 mm | 50 mm | - | - | 61.70 | - | 8.45 | - | 4.46 | 1.77 | - | - | - | - | - | - | - | - | - | 214005 | 366 |
| CE | 1 x 10 mm | 4 x 10 x 60 mm | 71/115 mm | 50 mm | 139 mm | 77 mm | 56.10 | - | 43.60 | - | 8.91 | 6.28 | 6.90 | 5.94 | 1.04 | - | - | 11.70 | 2.55 | - | - | 214043 | 367 |
| CE | 1 x 10 mm | 4 x 10 x 60 mm | 81/115 mm | 50 mm | 139 mm | 77 mm | 62.40 | - | 43.60 | - | 8.91 | 5.09 | - | 5.94 | 1.04 | - | - | 12.40 | 2.55 | - | - | 214067 | 367 |
| CE | 1 x 10 mm | 4 x 10 x 60 mm | 91/115 mm | 50 mm | 139 mm | 77 mm | 68.70 | - | 43.60 | - | 8.91 | 4.28 | - | 5.94 | 1.04 | - | - | 12.40 | 2.55 | - | - | 214074 | 367 |
| CE | 1 x 10 mm | 4 x 10 x 60 mm | 101/115 mm | 50 mm | 139 mm | 77 mm | 75.00 | - | 43.60 | - | 8.91 | 3.69 | - | 5.94 | 1.04 | - | - | 12.40 | 2.55 | - | - | 214098 | 367 |
| CE | 1 x 10 mm | 4 x 10 x 60 mm | 121/115 mm | 50 mm | 139 mm | 77 mm | 87.60 | - | 43.60 | - | 8.91 | 2.90 | - | 5.94 | 1.04 | - | - | 12.40 | 2.55 | - | - | 214104 | 367 |
| CE | 1 x 10 mm | 4 x 10 x 60 mm | 141/115 mm | 50 mm | 139 mm | 77 mm | 100.00 | - | 43.60 | - | 8.91 | 2.39 | - | 5.94 | 1.04 | - | - | 12.40 | 2.55 | - | - | 214111 | 367 |
| CE | 2 x 10 mm | - | 71/80 mm | 50 mm | 225 mm | 74 mm | 37.30 | - | 40.40 | - | 12.70 | 11.50 | - | 8.17 | 1.77 | - | - | 7.64 | 6.60 | - | - | 216740 | 394 |
| CE | 2 x 10 mm | - | 91/80 mm | 50 mm | 225 mm | 74 mm | 47.80 | - | 40.40 | - | 12.70 | 11.50 | - | 10.50 | 1.02 | - | - | 7.64 | 6.60 | - | - | 216771 | 394 |
| CE | 2 x 10 mm | - | 101/80 mm | 50 mm | 225 mm | 74 mm | 53.00 | - | 40.40 | - | 12.70 | 11.50 | - | 10.70 | 0.84 | - | - | 7.64 | 6.60 | - | - | 216795 | 394 |
| CE | 2 x 10 mm | - | 141/80 mm | 50 mm | 225 mm | 74 mm | 74.00 | - | 40.40 | - | 12.70 | 11.50 | - | 10.70 | 0.49 | - | - | 7.64 | 6.60 | - | - | 216825 | 394 |
| CE | 1 x 10 mm | 4 x 10 x 60 mm | 71/115 mm | - | 135 mm | 68 mm | 12.70 | - | - | 6.90 | 8.91 | 4.75 | - | 5.94 | 1.76 | - | - | 10.40 | 2.30 | - | - | 217600 | 451 |
| CE | 1 x 10 mm | 4 x 10 x 60 mm | 81/115 mm | - | 135 mm | 68 mm | 12.70 | - | - | 6.90 | 8.91 | 3.91 | - | 5.94 | 1.76 | - | - | 10.40 | 2.30 | - | - | 217617 | 451 |

Attachment to the Declaration of Performance GAH/LE-004 dated 14.07.2020

Continued: Characteristic values of load-bearing capacity

The values given are only intended as a planning aid



| | Means of connection bolts (bar dowel) | Means of connection screws (wood screw) | Post min w/h | Distances max a | Distances F2/F3 | Distances F4/F5 | F1 pressure, kN, wood, ym | F1 pressure, kN, steel, ym,0 | F1 pressure, kN, steel, ym,1 | F1 pressure, kN, steel, ym,2 | F1 tension, kN, wood, ym | F1 tension, kN, steel, ym,0 | F1 tension, kN, steel, ym,2 | F2/3, kN, wood, ym | F2/3, kN, steel, ym,0 | F2/3, kN, steel, ym,1 | F2/3, kN, steel, ym,2 | F4/5, kN, wood, ym | F4/5, kN, steel, ym,0 | F4/5, kN, steel, ym,2 | Order no. 4004338... | Type no. |
|----|---------------------------------------|---|--------------|-----------------|-----------------|-----------------|---------------------------|------------------------------|------------------------------|------------------------------|--------------------------|-----------------------------|-----------------------------|--------------------|-----------------------|-----------------------|-----------------------|--------------------|-----------------------|-----------------------|----------------------|----------|
| CE | 1 x 10 mm | 4 x 10 x 60 mm | 91/115 mm | - | 135 mm | 68 mm | 12.70 | - | - | 6.90 | 8.91 | 3.33 | - | 5.94 | 1.76 | - | - | 10.40 | 2.30 | - | 217624 | 451 |
| CE | 1 x 10 mm | 4 x 10 x 60 mm | 101/115 mm | - | 135 mm | 68 mm | 12.70 | - | - | 6.90 | 8.91 | 2.90 | - | 5.94 | 1.76 | - | - | 10.40 | 2.30 | - | 217631 | 451 |
| CE | 1 x 10 mm | 4 x 10 x 60 mm | 121/115 mm | - | 135 mm | 68 mm | 12.70 | - | - | 6.90 | 8.91 | 2.30 | - | 5.94 | 1.76 | - | - | 10.40 | 2.30 | - | 217648 | 451 |
| CE | 2 x 10 mm | - | 91/80 mm | - | 265 mm | 215 mm | 13.90 | - | - | 32.70 | 13.90 | - | 32.70 | 10.50 | 8.44 | - | - | 1.62 | 9.35 | - | 214432 | 472 |
| CE | 2 x 10 mm | - | 91/80 mm | 50 mm | 130 mm | 82 mm | 27.10 | - | 71.00 | - | 13.60 | - | 98.20 | 10.50 | - | 19.30 | - | 10.40 | 5.05 | - | 219925 | 655 |
| CE | - | - | 100/100 mm | 200 mm | - | - | 72.10 | - | 53.60 | - | - | - | - | - | - | - | - | - | - | - | 208028 | 480 |
| CE | - | - | 100/100 mm | 56 mm | - | - | 72.10 | - | 53.60 | - | - | - | - | - | - | - | - | - | - | - | 208035 | 481 |
| CE | 2 x 10 mm | - | 111/80 mm | 50 mm | 130 mm | 82 mm | 27.10 | - | 71.00 | - | 13.60 | - | 98.20 | 12.80 | - | 19.30 | - | 10.40 | 5.05 | - | 219949 | 655 |
| CE | 2 x 10 mm | - | 116/80 mm | 50 mm | 130 mm | 82 mm | 27.10 | - | 71.00 | - | 13.60 | - | 98.20 | 13.30 | - | 19.30 | - | 10.40 | 5.05 | - | 208417 | 655 |
| CE | 2 x 10 mm | - | 121/80 mm | 50 mm | 130 mm | 82 mm | 27.10 | - | 71.00 | - | 13.60 | - | 98.20 | 13.90 | - | 19.30 | - | 10.40 | 5.05 | - | 208424 | 655 |
| CE | 2 x 10 mm | - | 141/80 mm | 50 mm | 130 mm | 82 mm | 27.10 | - | 71.00 | - | 13.60 | - | 98.20 | 16.20 | - | 19.30 | - | 10.40 | 5.05 | - | 208431 | 655 |